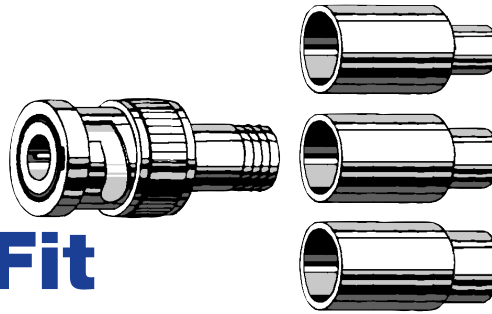


# CZ Labs

CONNECTING WITH QUALITY SINCE 1959

17 Greenbush Rd. South  
Orangeburg, NY 10962  
office: (845) 680-2431  
fax: (845) 680-2709  
website: <http://www.czlabs.com>  
e-mail: [info@czlabs.com](mailto:info@czlabs.com)

## New BNC Multi-Fit Crimp

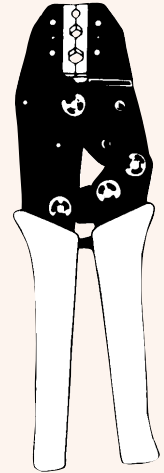


### Model 351 - 2 piece Crimp Type Male

comes with 3 crimp type ferrules to fit the following cables:

- RG-59 PVC
- RG-59 Teflon /Plenum
- RG-6 PVC
- RG-6 Teflon /Plenum
- RG-58 PVC

**Features:** All brass construction, gold contact pin. Delrin insulator will handle center conductor wire size of 18-22 ga.

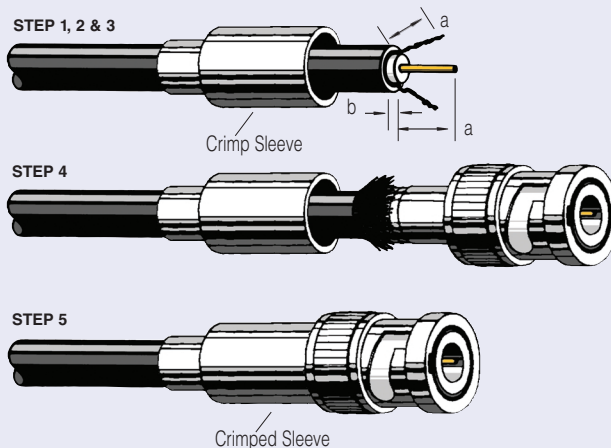


### Ratchet Crimp Tool

Model #658

Hex sizes: .213,  
.256, .319, .068

## TERMINATION INSTRUCTIONS



- 1 Run crimp sleeve down cable.
- 2 Trim cable as shown, being careful not to nick outer braid.
- 3 Insert center conductor into the guide hole in the rear of the connector. Then screw the connector on the cable in a clockwise direction.
- 4 Push crimp sleeve into place, sandwiching the braid between the connector and sleeve.
- 5 Crimp the sleeve into place with the proper crimp tool.

a = .375 (9.5)  
b = .063 (1.6)